

## GALLOWS BRACKETS GB02 - GB03 - GB04

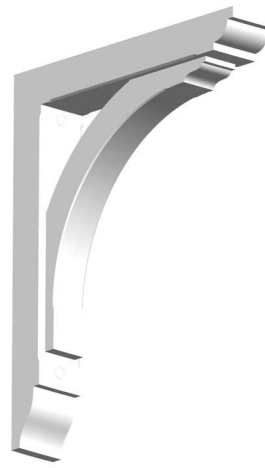


installation instructions - plaatsingsinstructies - instructions de pose  
Gebrauchsanleitung - istruzioni di installazione - instrucciones de  
instalación - instruções de instalação  
Instrukcja montażu - Инструкция по эксплуатации  
UM900 - 01/2009

nv ORAC - Biekorfstraat 32, B-8400 Oostende  
Tel: +32 (0)59-80 32 52 - Fax: +32 (0)59-80 28 10  
info@oracdecor.com - www.oracdecor.com

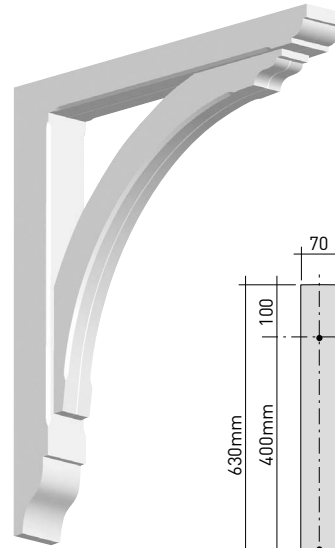
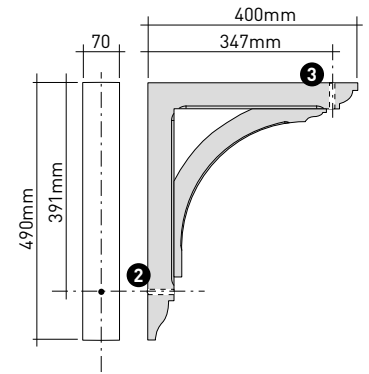
Orac (UK) Ltd.  
Unit 5, Hewitts Estate  
Elmbridge Road  
Cranleigh, Surrey  
GU6 8LW  
United Kingdom  
Tel: +44 (0)1483-271 211  
Fax: +44 (0)1483-278 317  
uk@oracdecor.com  
www.oracdecor.com

\* Tested by University of Ostend, and applies where loading is evenly distributed across the brackets.



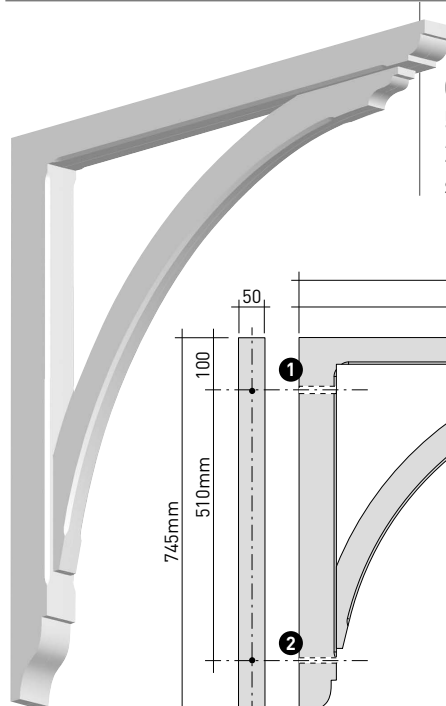
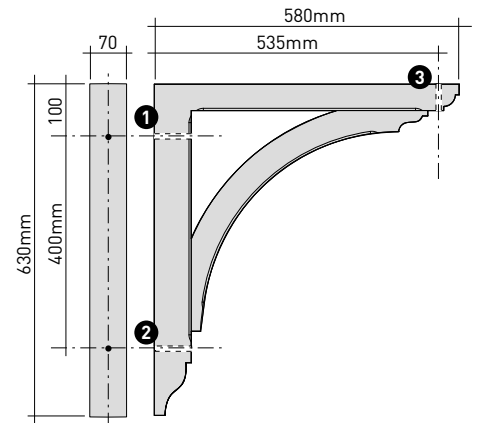
### GB02

70 x 490 x 400mm  
2<sup>3</sup>/<sub>4</sub>" x 19<sup>9</sup>/<sub>32</sub>" x 15<sup>3</sup>/<sub>4</sub>"  
structural max. 35kg\*



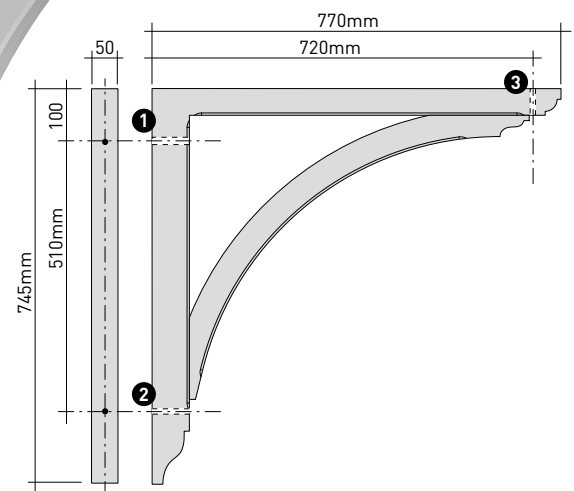
### GB03

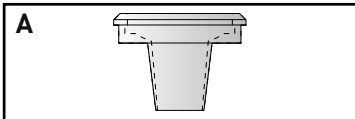
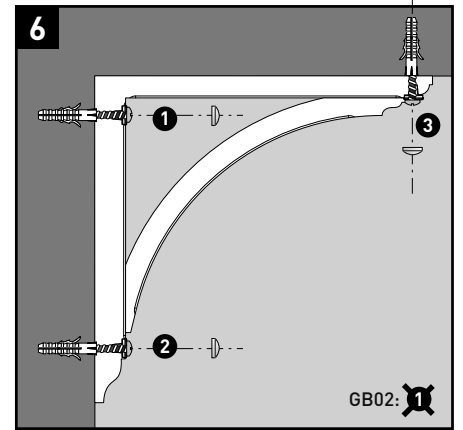
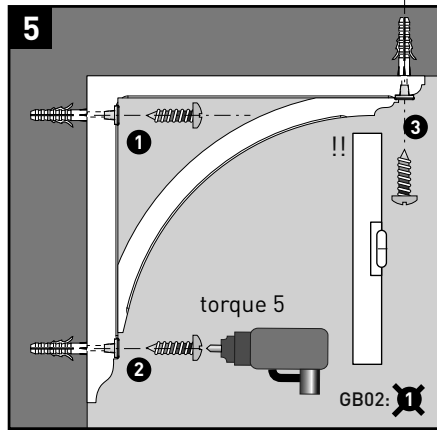
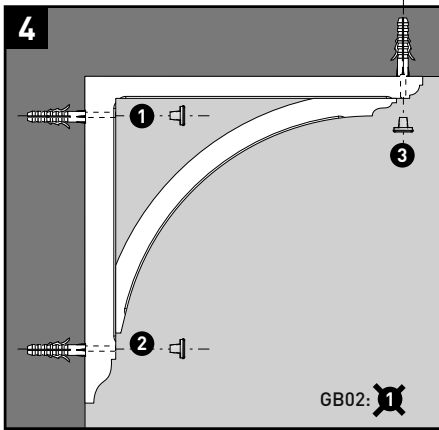
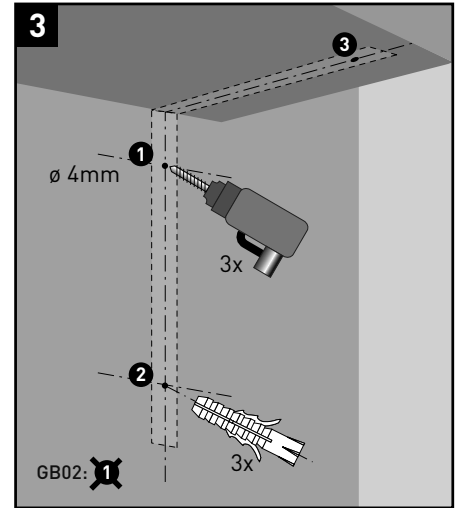
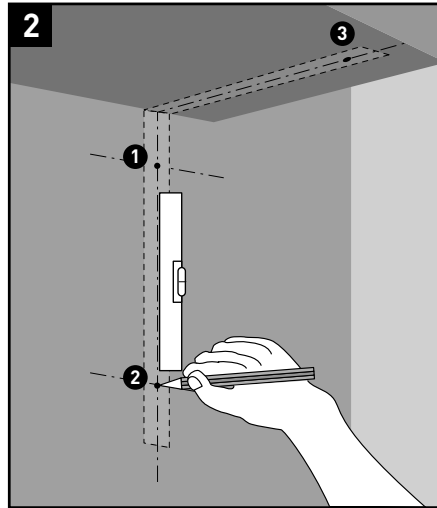
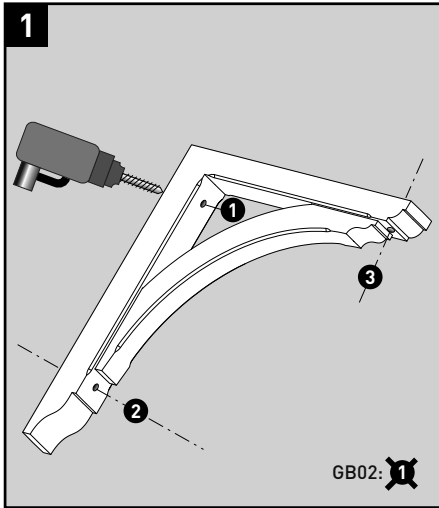
70 x 630 x 580mm  
2<sup>3</sup>/<sub>4</sub>" x 24<sup>13</sup>/<sub>16</sub>" x 22<sup>7</sup>/<sub>8</sub>"  
structural max. 75kg\*



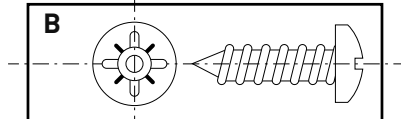
### GB04

50 x 745 x 770mm  
2" x 29<sup>5</sup>/<sub>16</sub>" x 30<sup>5</sup>/<sub>16</sub>"  
structural max. 75kg\*

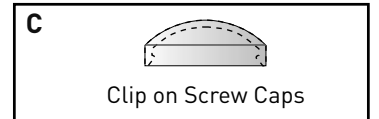




GB02: 2x  
 GB03/04: 3x



GB02: 2x  
 GB03/04: 3x



Clip on Screw Caps

GB02: 2x  
 GB03/04: 3x

